

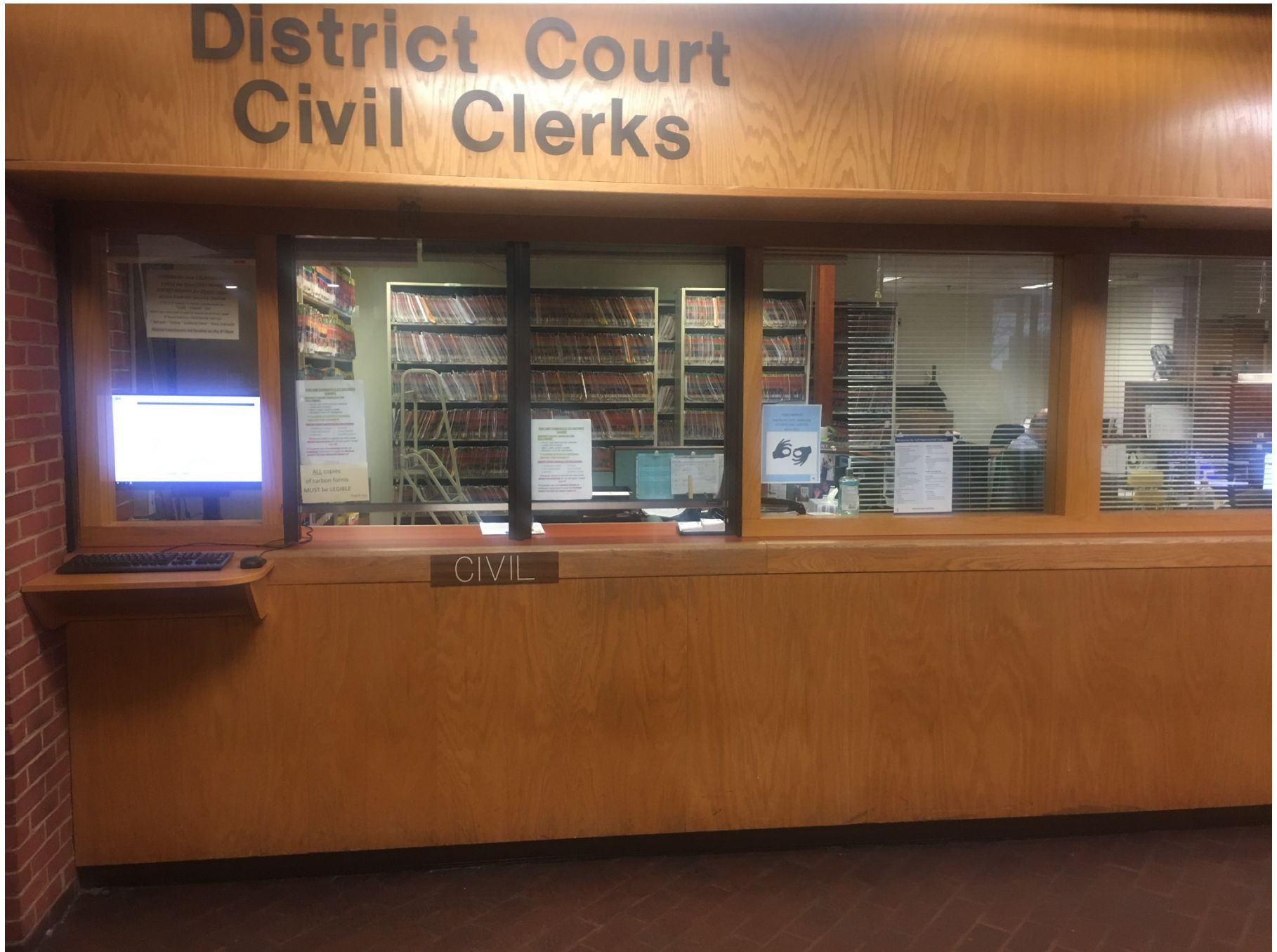
Civil Front Counter



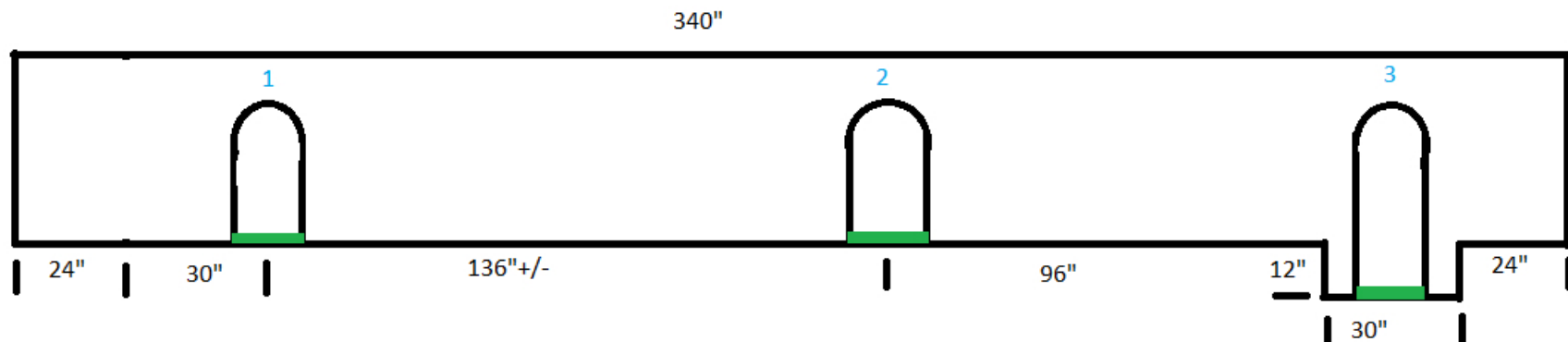
Civil Cashier Window



Civil Counter



Civil windows



transaction window
numbers are in blue

each window will get a
16"x8"x2 3/4" deal tray

Windows 1, 2 and 3 get speak
around arches, 1&2 are 16"w x
32"h, #3 will be 16"w and approx.
44"h. back panel arches should
be 4" wider on sides and top. All
3 arch tops should be same
finished height.

Criminal Traffic All Windows



Criminal Traffic Cashier



Criminal Traffic Counters



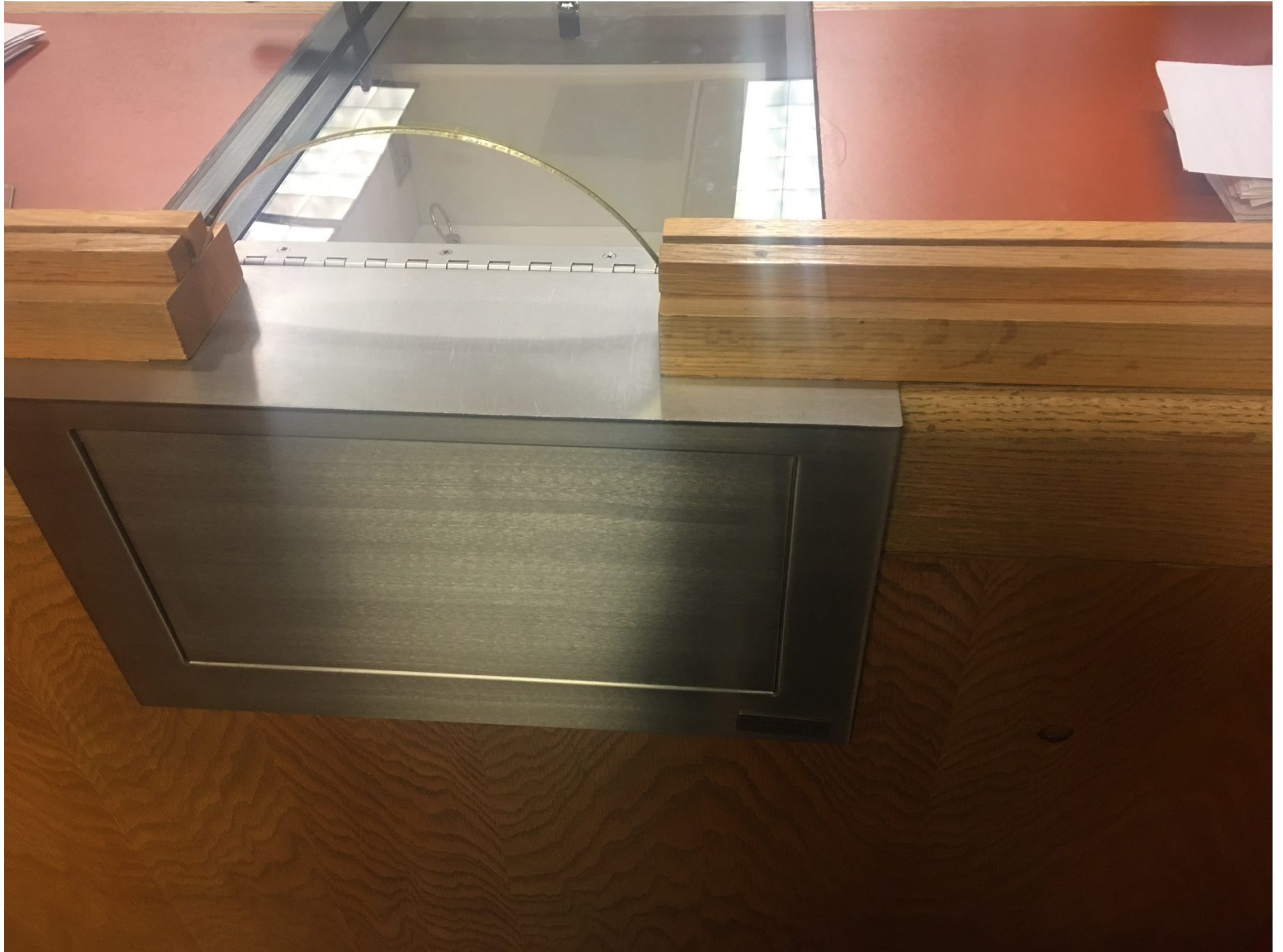
Criminal Traffic



Criminal Traffic Window 1



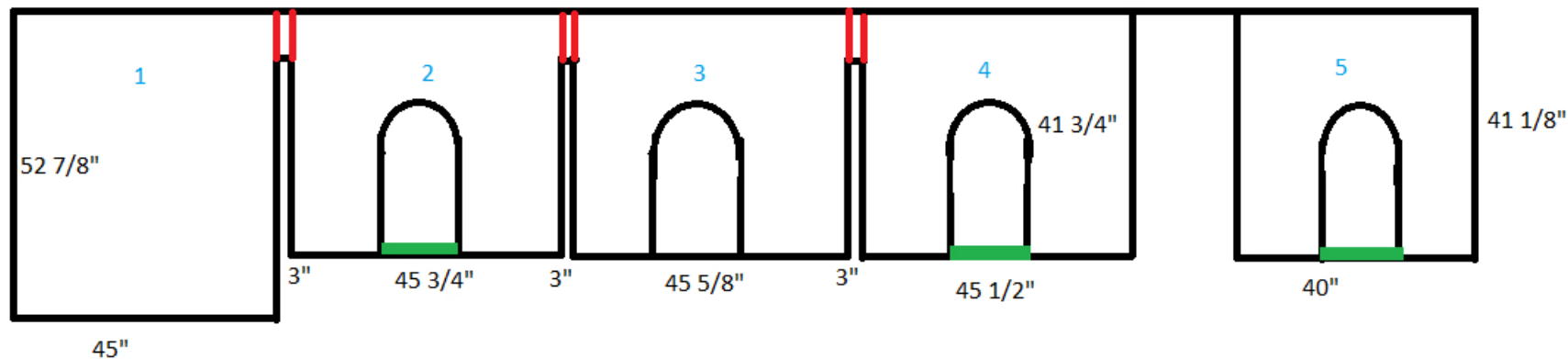
Criminal Traffic Window 2



Criminal Traffic Windows 1 & 2



Criminal/traffic windows



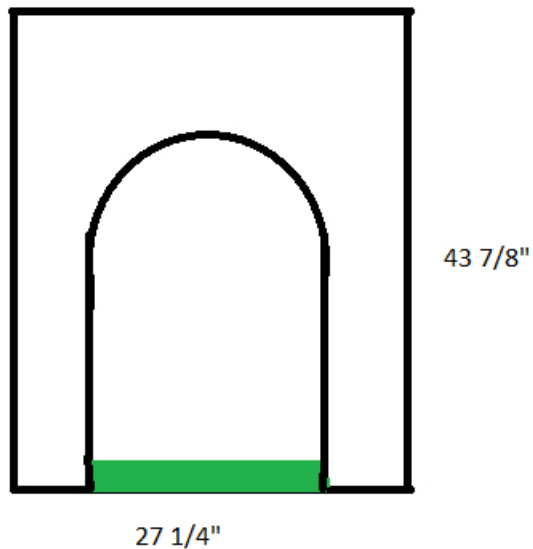
the areas in red are openings that will need to be filled in with frame material 3"w x 8"h

windows 2, 4 and 5 get a 16"x8"x2 3/4" deal tray

transaction window numbers are in blue

windows 2, 3, 4, and 5 get speak around arches 16"w x 32"h, back panel arches should be 4" wider on sides and top

Judges Admin



window will get a
 $16" \times 8" \times 2 \frac{3}{4}"$ deal tray

window will get a speak
around arch $16" \times 32"$ h,
back panel arch should
be $4"$ wider on sides and
top

Judges Administration Window



Public Access Window

