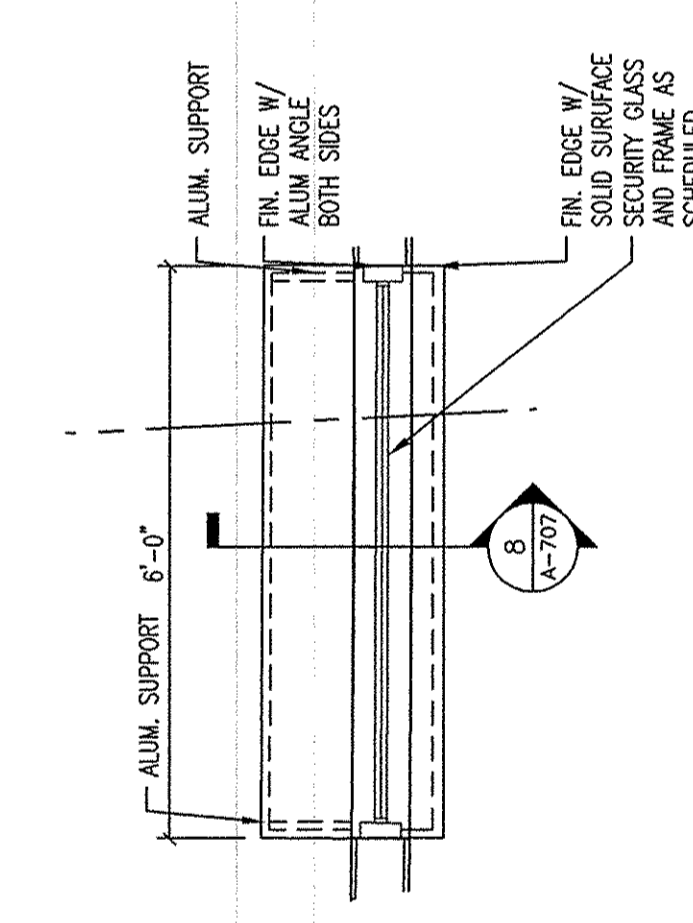
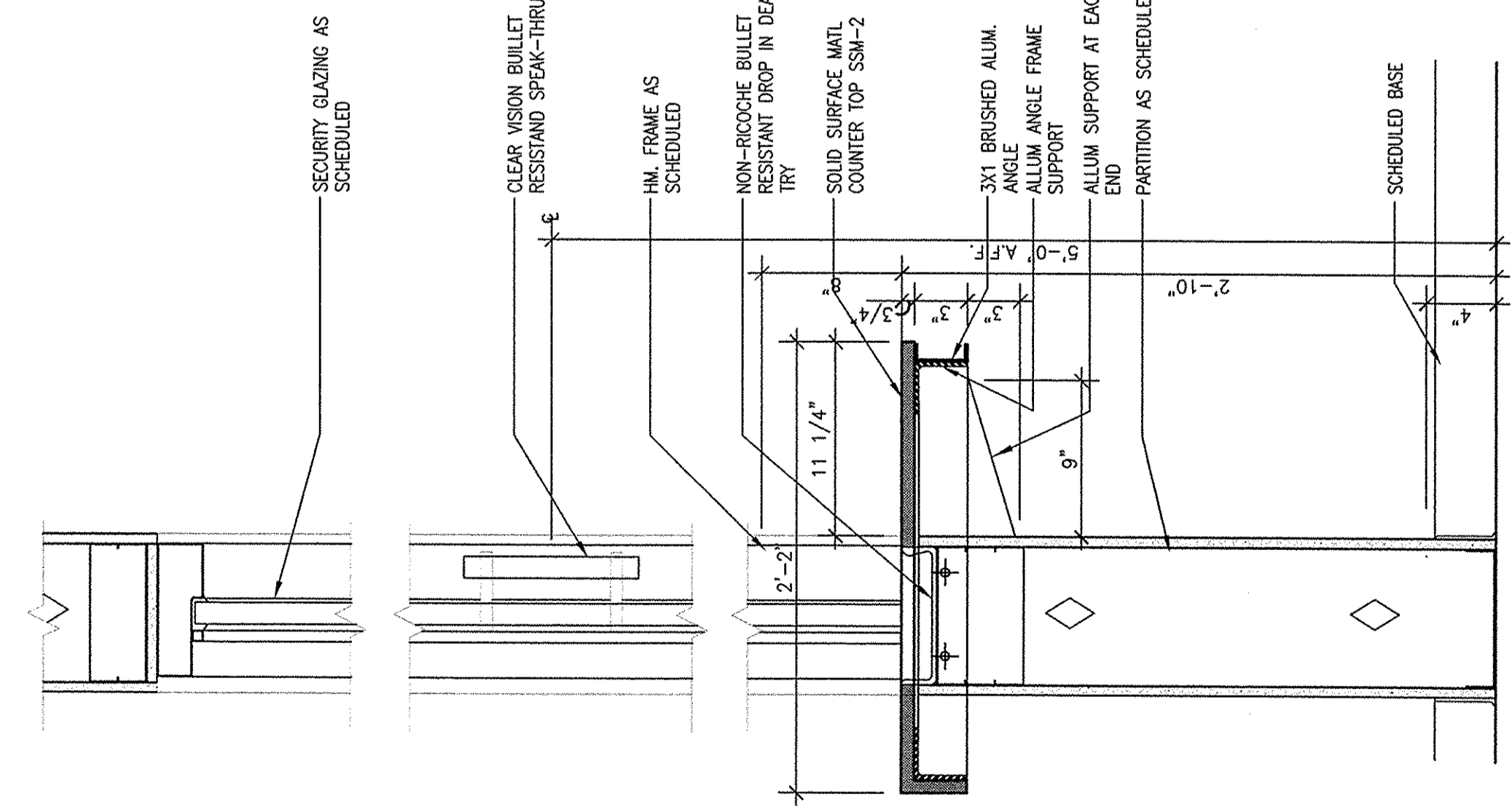


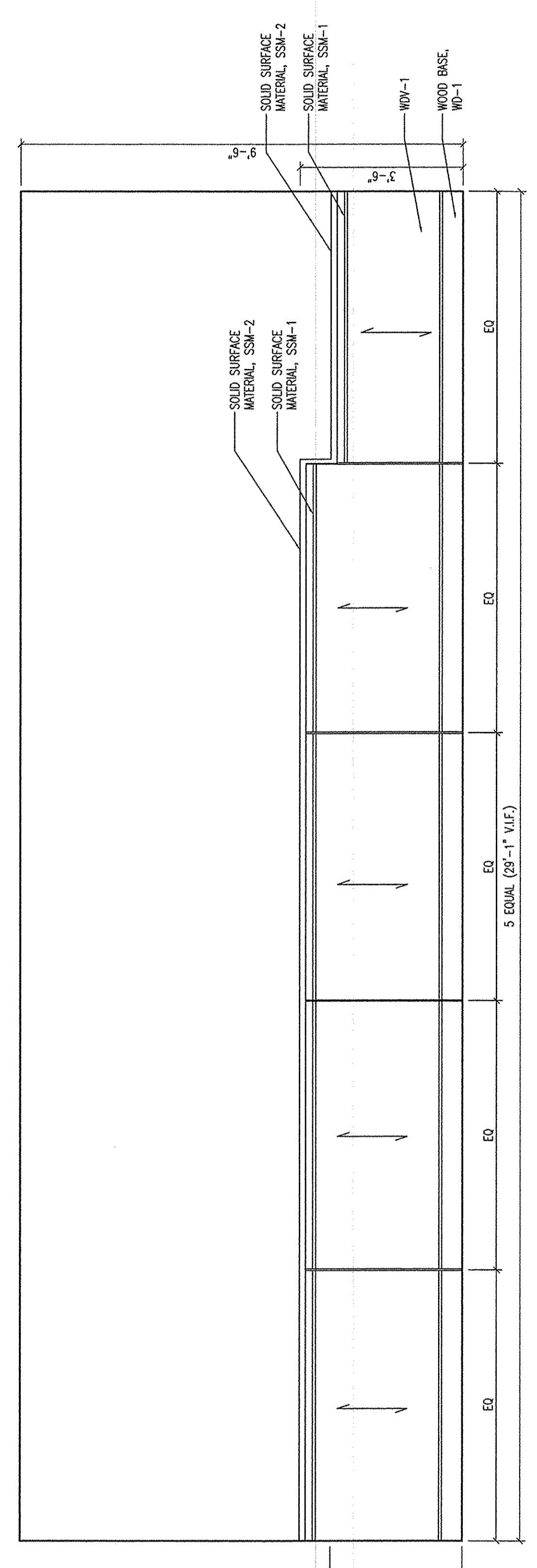
8 TYPICAL DETAIL @ COUNTER  
 A-707 SCALE: 1/2"=1'-0"



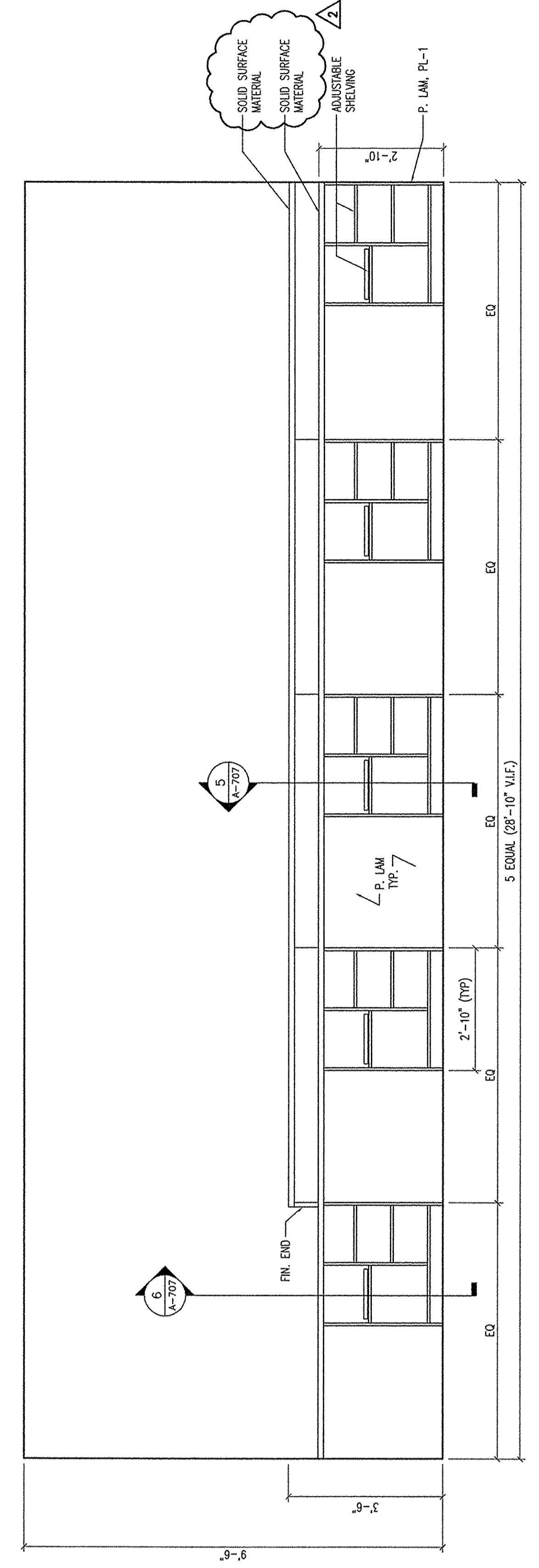
7 TYPICAL PLAN DETAIL @ COUNTER  
 A-707 SCALE: 1/2"=1'-0"



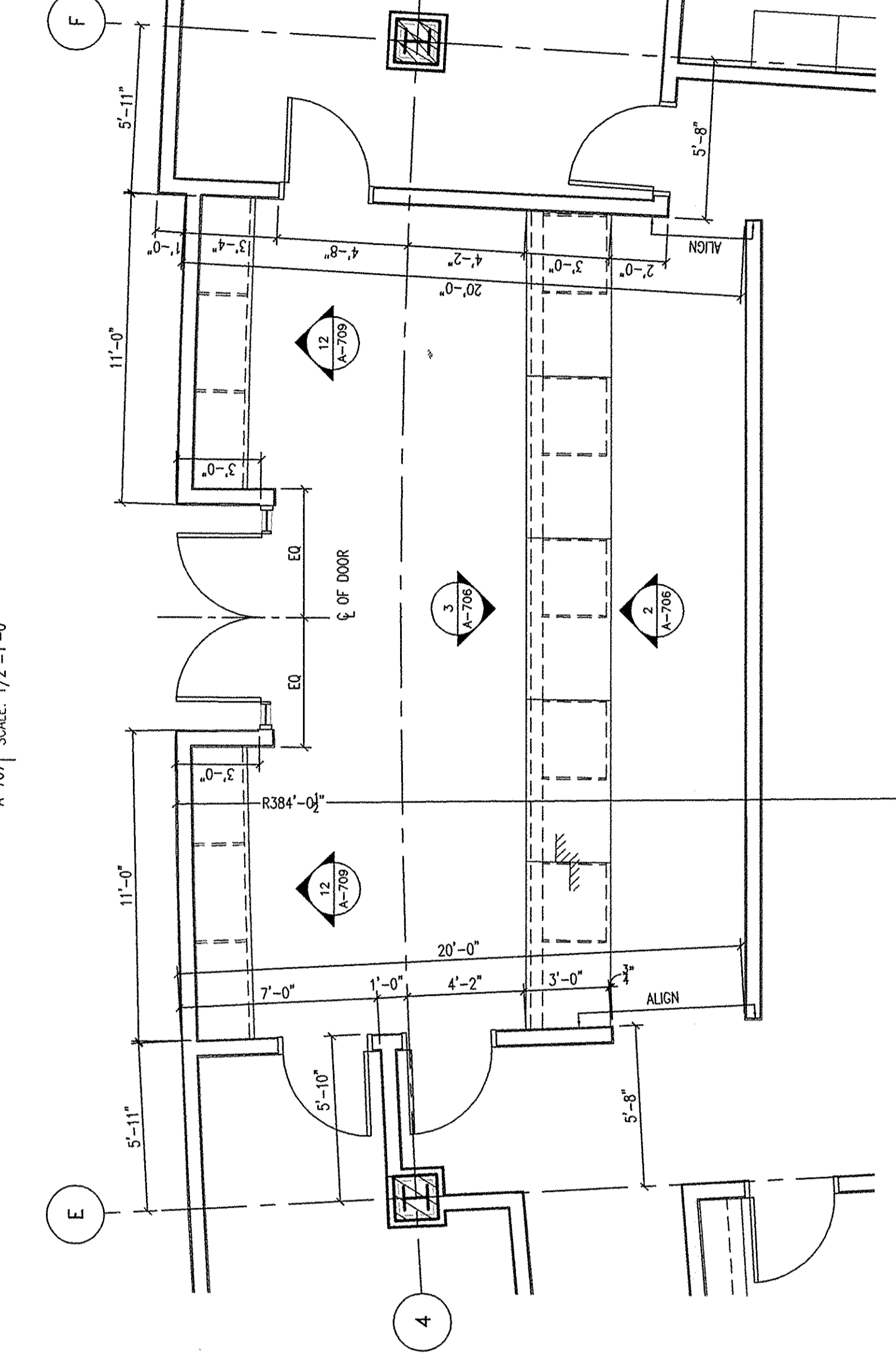
10 TYPICAL DETAIL @ COMMISSIONER'S COUNTER  
 A-707 SCALE: 1/2"=1'-0"



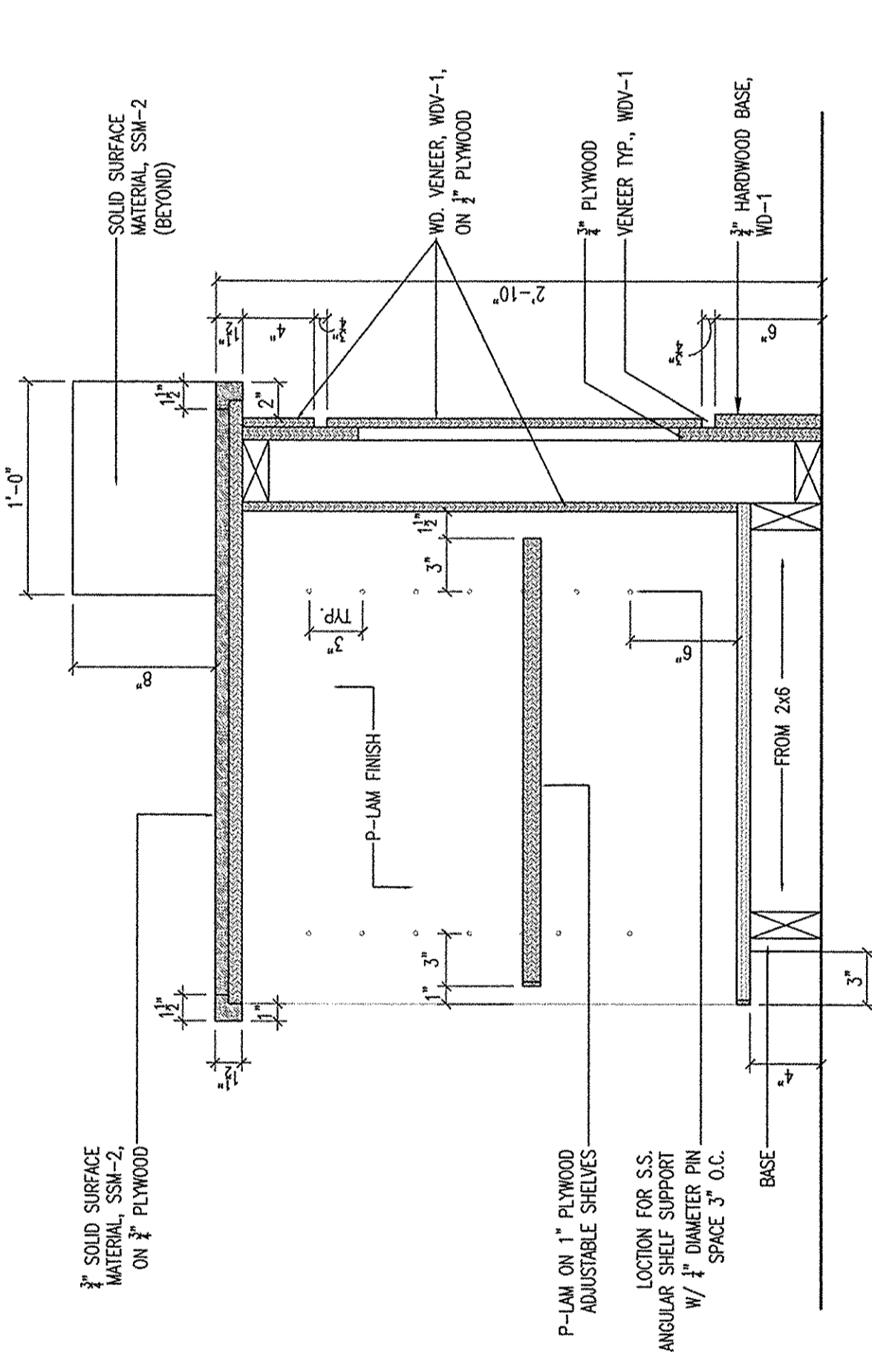
3 PUBLIC SIDE ELEVATION  
 RM 214-C/T PUBLIC COUNTER  
 A-707 SCALE: 1/2"=1'-0"



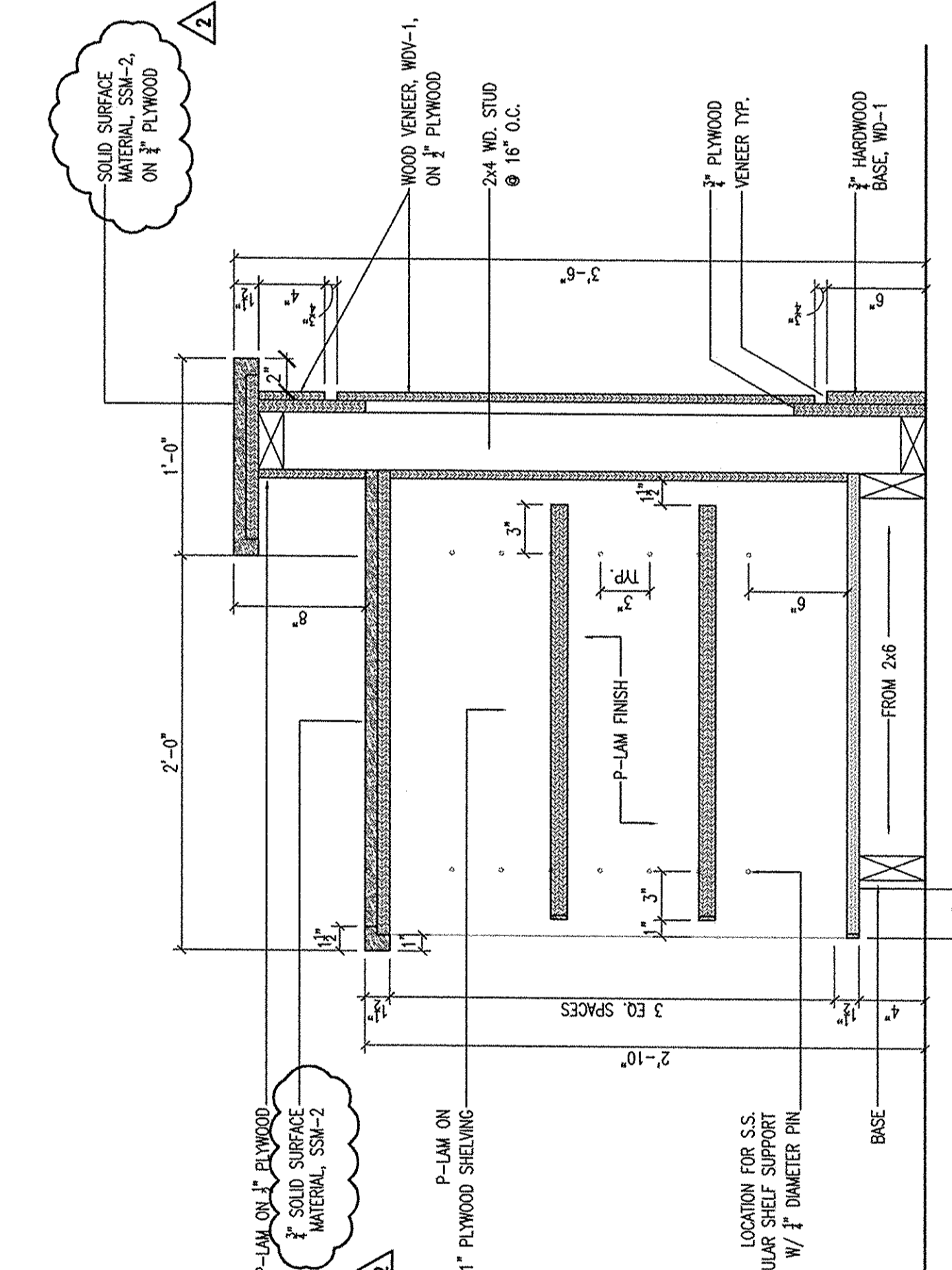
2 EMPLOYEE SIDE ELEVATION  
 RM 214-C/T PUBLIC COUNTER  
 A-707 SCALE: 1/2"=1'-0"



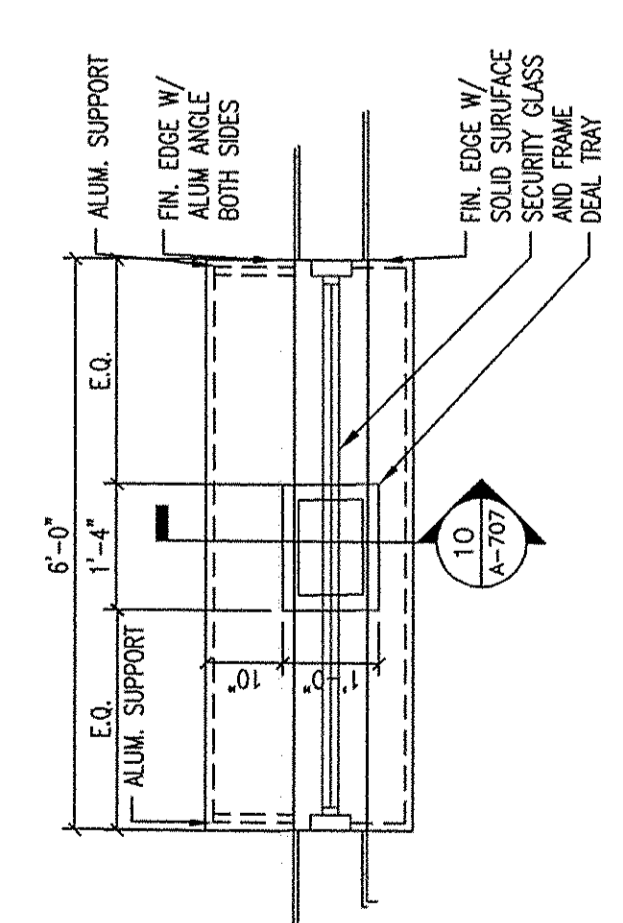
1 SECTION @ RM 214 CASHIER COUNTER  
 (RM 214 SIMILAR AND OPPOSITE)  
 A-707 SCALE: 1/4"=1'-0"



6 TYP. ADA PUBLIC COUNTER  
 A-707 SCALE: 1/2"=1'-0"



5 TYP. PUBLIC COUNTER  
 A-707 SCALE: 1/2"=1'-0"



9 TYPICAL PLAN DETAIL @ COMMISSIONER'S COUNTER  
 A-707 SCALE: 1/2"=1'-0"